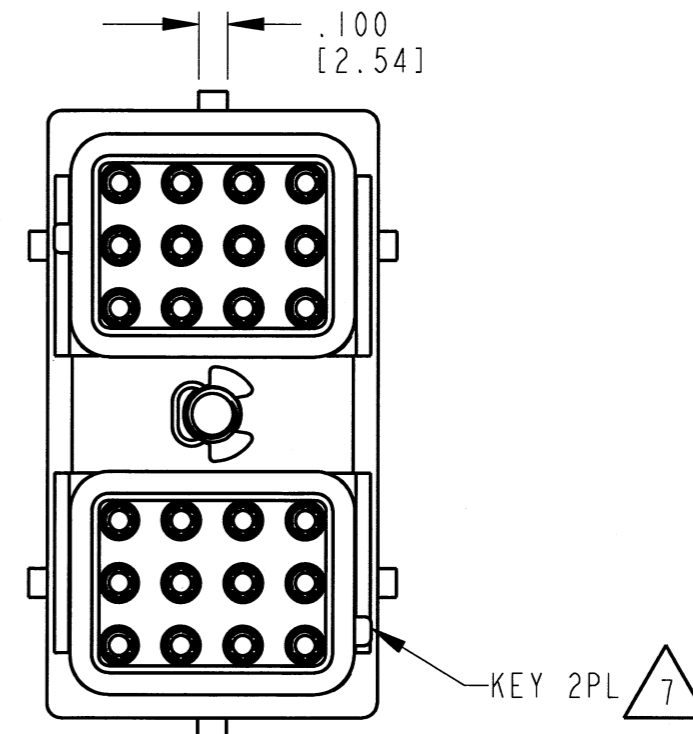
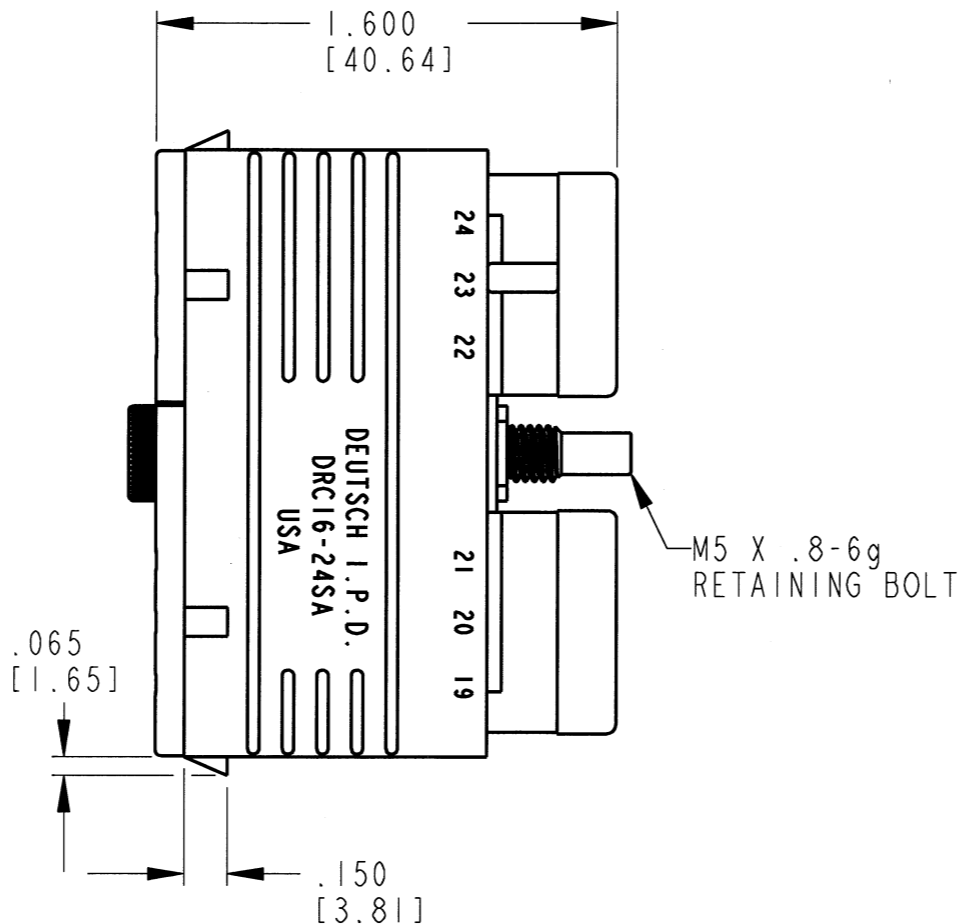
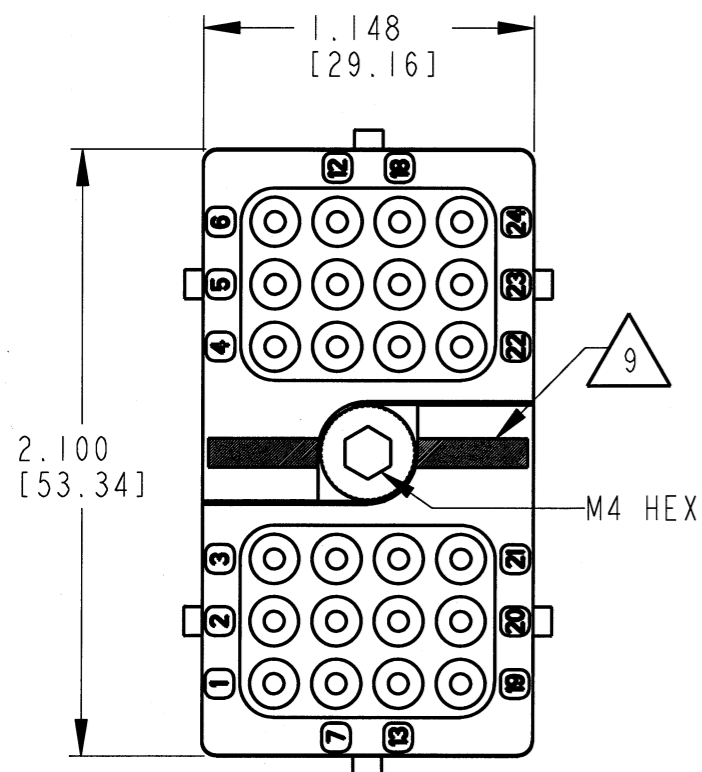


REV
A

DRC16-24S * E

REVISIONS

SYM	DESCRIPTION	DATE	APPROVED
NC	NEW RELEASE PER E.O. P17716	4-10-02	R.D.R.
A	REVISED PER E.O. P21066	8-12-11	RDR



8. MATING TORQUE REQUIREMENT: 25-28 IN-LB [2.82-3.16 Nm].

7. SEE SHEET 2 FOR OTHER KEY ARRANGEMENTS.

6. MATERIAL- PLUG: PLASTIC; SEAL/GROMMET: RUBBER; RETAINING BOLT: STEEL.

5. THIS PLUG MATES WITH DRC10-24P*-****; DRC12-24P*-****; DRC13-24P*-****; AND DRC14-24P*-**** RECEPTACLE. (*=A,B,C,D KEYS; ****=ALL MODIFICATIONS). CONSULT FACTORY FOR MODS.

4. FOR CONTACTS AND WIRE PERFORMANCE AND APPLICATION CHARACTERISTICS, SEE ENVELOPE DRAWING 0425-015-0000.

3. PLUG SUPPLIED WITH DUST CAP. (NOT SHOWN).

2. DIMENSION TOLERANCE: ±.025 [.64].

1. DIMENSIONS ARE IN INCHES [mm].

NOTES: UNLESS OTHERWISE SPECIFIED

MIN. INSUL. O.D.	MAX. INSUL. O.D.	WIRE RANGE [mm ²] REF ONLY
.053 [1.35]	.120 [3.05]	14-20 AWG [2.0-0.50]

9. E-SEAL IS IDENTIFIED BY A BLUE STRIPE.

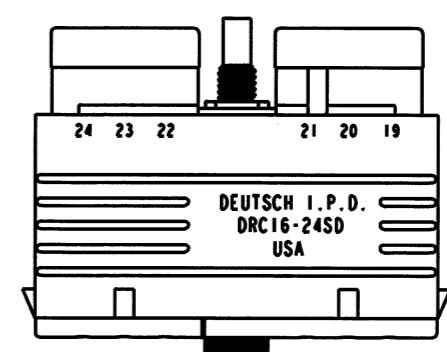
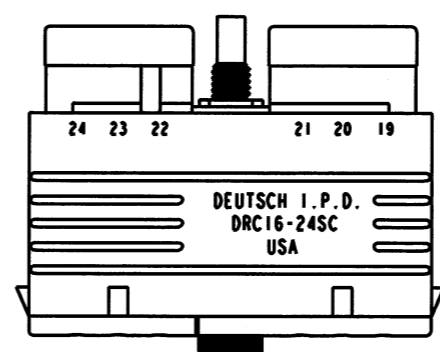
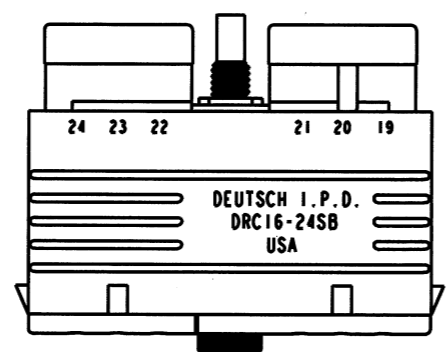
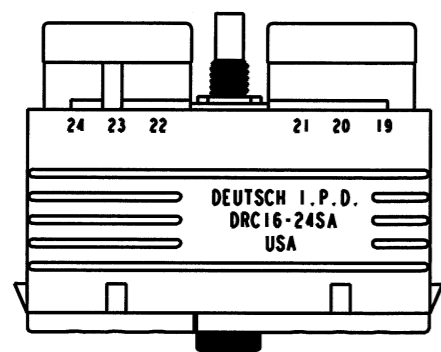
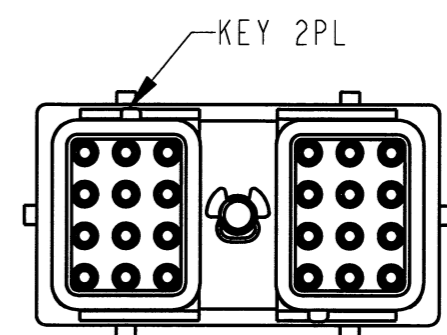
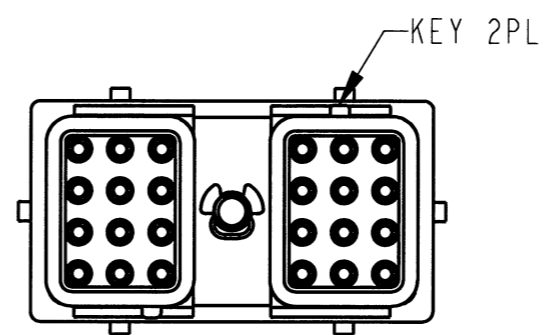
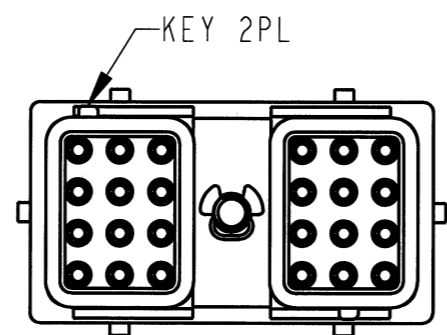
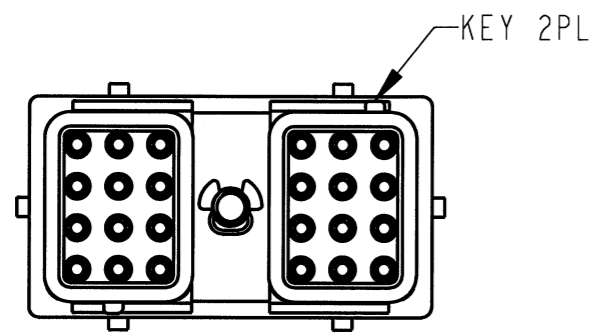
SIGNATURE & DATE	
DR	D. MEYER 04/08/02
CHK	<i>[Signature]</i> 8/8/11
PE	D. Hasibuan 8/8/11
APPD	<i>[Signature]</i> 8/8/11
SCALE	NONE
WT	

PLUG
24 SIZE 16
KEYS: A, B, C, D
'E' SEAL
COLOR: BLACK
DRC SERIES
ENVELOPE

EP	MATL. CODE
3850 INDUSTRIAL AVE. HEMET, CA 92545	
B	DRC16-24S*E
DWG SIZE	CODE 11139 SHEET 1 OF 2

REV
A DRC16-24S * E

REVISIONS			
SYM	DESCRIPTION	DATE	APPROVED
A	SEE SHEET 1.	8-12-11	RDR




DRC16-24SAE
KEY: -A-

DRC16-24SBE
KEY: -B-

DRC16-24SCE
KEY: -C-

DRC16-24SDE
KEY: -D-

NOTES:

SIGNATURE & DATE		PLUG 24 SIZE 16 KEYS: A, B, C, D 'E' SEAL COLOR: BLACK DRC SERIES ENVELOPE	EP	MATL. CODE
DR	D. MEYER 04/08/02		 3850 INDUSTRIAL AVE. HEMET, CA 92545	
CHK	<i>Janice G... 8/8/11</i>		DEUTSCH INDUSTRIAL	
PE	<i>D. Hasibuan 8/8/11</i>		B DRC16-24S*E	
APPD	<i>D Meyer 8/8/11</i>		DWG SIZE	CODE 11139
SCALE	NONE (W)			